

KABELSCHUTZ SYSTEME

CABLE PROTECTION SYSTEMS

FLEXA - FOOD
Lebensmittelindustrie
Food and Beverage

FDA **ECOLAB**

www.flexa.de



IP 68
-40°C ... +80°C ^ +110°C

ECOLAB

FDA CFR 21 konform | compliant



LIQUID – TIGHT – FOOD

Metall-Schutzschlauch
Stahl verzinkt, PU-Mantel

Protective metal conduit
galvanized steel, PU sheathing

EIGENSCHAFTEN

- lebensmittelecht
- besonders flüssigkeitsdicht
- erhöht ölbeständig
- mikrobebeständig
- selbstverlöschend

PROPERTIES

- food-safe
- extremely liquid-tight
- highly oil-resistant
- microbe resistant
- self-extinguishing

ANWENDUNGSGEBIETE

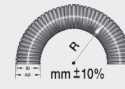
- Lebensmittelindustrie
- Automation
- Elektroanlagen
- Maschinen- und Anlagenbau

APPLICATION

- food and beverage industry
- automotive
- electrical installations
- machine and plant constructions

FLEXA No.

AD
OD



blau blue

ø

mm

stat dyn

kg| m

m



1 2083 914 016	1/2"	16,0 x 21,0	105	260	0,300	50
1 2083 914 021	3/4"	21,0 x 26,5	175	430	0,460	50
1 2083 914 026	1"	26,5 x 33,0	200	500	0,650	25
1 2083 914 035	1 1/4"	35,5 x 42,0	240	600	1,000	25

IP 68
-25°C ... +50°C ^ +70°C

ECOLAB

FDA CFR 21 konform | compliant



AIRflex® – GRS – FOOD

Vollkunststoff-Schutzschlauch
lebensmittelecht, außen und innen glatt

Protective all-plastic conduit
food-safe, plain inside and outside surfaces

EIGENSCHAFTEN

- lebensmittelecht
- mikrobebeständig
- flexibel
- luft- und flüssigkeitsdicht
- weichmacherfrei

PROPERTIES

- food-safe
- microbe resistant
- flexible
- airtight and liquid tight
- unplasticized

ANWENDUNGSGEBIETE

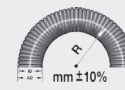
- Lebensmittelindustrie
- Automation
- Elektroanlagen
- Maschinen- und Anlagenbau

APPLICATION

- food and beverage industry
- automation
- electrical installations
- machine and plant constructions

FLEXA No.

AD
OD



blau blue

ø

mm

stat dyn

kg| m

m



1 0220 904 016	1/2"	16,0 x 21,0	70	175	0,175	50
1 0220 904 021	3/4"	21,0 x 27,0	85	210	0,240	50
1 0220 904 029	1"	26,2 x 33,0	125	310	0,410	25
1 0220 904 038	1 1/4"	35,0 x 42,0	160	400	0,530	25

US – FOOD

Metallverschraubung
Edelstahl
gerade
Außengewinde
inkl. Innentülle und O-Ring

Metal connector
stainless steel
straight
outer thread
incl. ferrule and sealing

IP 68 | IP 69K
-40°C ... +125°C

ECOLAB



KONSTRUKTION

Verschraubungsgehäuse mit Sechskant-schlüsselfläche, feststehendes Außen-gewinde metrisch nach EN 60423, Sechskantdruckmutter, Kunststoff-Dichtring, einteilige Gewinde-Innentülle und O-Ring

STRUCTURE

Connector body with hexagon wrench surface, fixed connecting outer thread metric acc to EN 60423, hexagon pressure nut, plastic sealing, one-part thread ferrule and O-Ring

MATERIAL

Gehäuse Edelstahl|Versaflex CL2250
Druckmutter Edelstahl 1.4404
Dichtring Kunststoff PA 6
Innentülle Messing
O-Ring NBR

MATERIAL

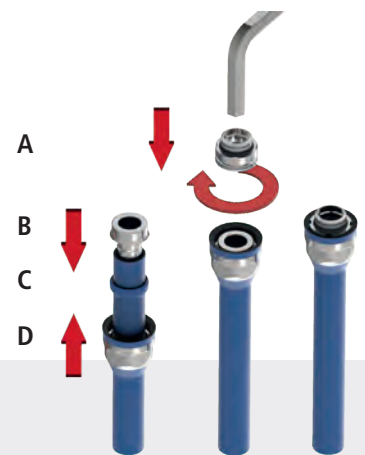
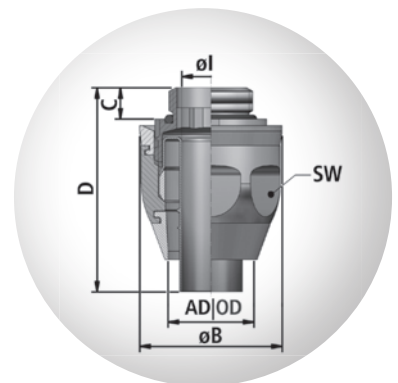
Conn. Body stainless steel|Versaflex CL2250
Pressure nut stainless steel 1.4404
Sealing ring plastics PA 6
Ferrule nickel-plated brass
O-ring NBR

EIGENSCHAFTEN

- lebensmittelecht
- hoher Staub- und Flüssigkeitsschutz
- kraftschlüssige Verbindung von Schlauch und Verschraubung
- einwandfreie Erdung
- Abdeckung der Schlauchenden
- vibrations- und zugfest
- IP 68 geprüft nach EN 60529 | IP 69K geprüft nach DIN 40050-9 [interne Prüfung] bis 40 bar, 80° C

PROPERTIES

- food-safe
- highly watertight and dustproof
- friction-type locking of conduit and screw connector
- correct grounding
- covering of the conduit ends
- vibration- and tension proof
- IP 68 approved acc. to EN 60529 | IP 69K approved acc. to DIN 40050-9 [internal audit] up to 40 bar, 80° C



- A Verschraubungskörper mit montiertem O-Ring
connector body with mounted O-ring
- B Innentülle
ferrule
- C Dichtring
sealing ring
- D Druckmutter
pressure nut



VIDEO

AD
OD



FLEXA No.



US – FOOD – M

LIQUID – TIGHT – FOOD
GRS – FOOD

ø	Metr. EN 60423	[IP 68]	mm	øl mm	øB mm	C mm	D mm	SW mm	SW mm	kg 100	St. pcs.
1/2"	M 20 x 1,5	1 0608 800 020	16,0 x 21,0	14,0	34,0	7,5	48,5	30	14	7,040	10
1/2"	M 25 x 1,5	1 0608 800 125	16,0 x 21,0	14,0	41,0	7,5	49,5	36	14	11,510	10
3/4"	M 25 x 1,5	1 0608 800 025	21,0 x 27,0	18,8	41,0	7,5	58,0	36	19	10,010	5
1"	M 32 X 1,5	1 0608 800 032	26,5 x 33,0	27,8	53,0	7,5	68,0	46	25	19,325	5
1 1/4"	M 40 X 1,5	1 0608 800 040	35,0 x 42,0	32,0	61,0	7,5	80,0	54	32	29,295	2

BERLIN LEIPZIG DRESDEN Sascha Gotta s.gotta@flexa.de www.flexa.de Tel 06181 677-153 Fax 06181 677-55153	FREIBURG R. Rantzuch KG info@rantzuch-et.de www.rantzuch-et.de Tel 07664 50569-0 Fax 07664 50569-0	HAMBURG Horst Falke Industrievertretungen e.K. info@horst-falke.de www.horst-falke.de Tel 040 67000-13 / -14 Fax 040 6703842	MÜNCHEN Handelsvertretung Süd Edgar Huemer huemer@hvsued.de www.hvsued.de Tel 0172 6666272 Fax 06181 677-55729	STUTTGART Handelsvertretung Süd Edgar Huemer huemer@hvsued.de www.hvsued.de Tel 0172 6666272 Fax 06181 677-55729
DORTMUND DÜSSELDORF Sönnecken GmbH soenneckengmbh@t-online.de Tel 0231 5600012 Fax 0231 590607	FRANKFURT MANNHEIM Alexander Trunk a.trunk@flexa.de www.flexa.de Tel 06181 677-156 Fax 06181 677-156	HANNOVER Sascha Gotta s.gotta@flexa.de www.flexa.de Tel 06181 677-153 Fax 06181 677-55153	NÜRNBERG Jacob Haag Nachfolger OHG info@haag-elektro.de www.haag-elektro.de Tel 09103 71370-0 Fax 09103 916 / 917	

UNSERE PARTNER IM AUSLAND

AUSTRALIA HARTING Australia Pty Ltd., Bundoora au@harting.com www.harting.com.au Tel +61 3 9466-7088	DENMARK Hans Følsgaard A/S, Koge hf@hf.net www.hf.net Tel +45 43208600	HUNGARY Q-TECH Ltd. & Co., Budapest info@q-tech.hu www.q-tech.hu Tel +36 1 405-3338	NORWAY Nortelco Treotham AS, Trollasen treotham@treotham.no www.treotham.no Tel +47 66778320	SPAIN Gaestopas S.L, Hernani gaestopas@gaestopas.com www.gaestopas.com Tel +34 943 376939
AUSTRIA Votohm GmbH, Sulz info@votohm.at www.votohm.at Tel +43 5522 494 20	FINLAND OEM Finland OY, Turku info@oem.fi www.oem.fi Tel +358 207 499499	INDIA TECHWORKS ENGINEERING Pvt. Ltd. BENGALURU murlidhar@tecwo.com www.jacob-gmbh.com Tel +91 80 67205555	POLAND Soyter Components Spolka z o.o. Sp. K, Izabelin handlowy@soyter.pl www.soyter.pl Tel +48 22 7528255	SWEDEN OEM Automatic AB, Tranas info@aut.oem.se www.oemautomatic.se Tel +46 75 2424100
BELGIUM S.A. Huppertz N.V., Wilrijk info@huppertz.be www.huppertz.be Tel +32 2 3343434	FINLAND Esbecon Oy, Nummela sales@esbecon.fi www.esbecon.fi Tel +358 9 22522-60	INDIA SR Indus Electro Sys Pvt Ltd. Bangalore Karnataka info@sindus.in www.sindus.com Tel +91 9632149525	POLAND OEM Automatic Sp. z o.o www.oemautomatic.pl info@pl.oem.se Tel +48 22 8632722	SWITZERLAND AGRO AG, Hunzenschwil info@agro.ch www.agro.ch Tel +41 62 8894747
BRAZIL Controall, Sao Paulo controall@controall.com.br www.controall.com.br Tel +55 11 2941-9490	FRANCE Baumann Sarl, Geispolsheim Gare www.baumann.fr info@baumann.fr Tel +33 3 88408500	ISRAEL Wave Mechanics Ltd., Kfar-Saba wave@wavetech.co.il www.wavetech.co.il Tel +972 9 7644-878	PORTUGAL Gaestopas Portugal, Alfena www.gaestopas.com portugal@gaestopas.com Tel +351 220 433 878	TAIWAN Faradick Co. Ltd., Taipei faradick@seed.net.tw www.faradick.com.tw Tel +886 2 27988187
BRAZIL Harting Ltda., Sao Paulo br@harting.com.br www.harting.com.br Tel +55 11 503500-73	FRANCE Groupe Intercables, Roquefort www.intercables.com info@intercables.com Tel +33 4 86186032	ISRAEL SystematITech Ltd., Tel Aviv sales@systematitech.com www.systematitech.com Tel +972 3 9605008	ROMANIA Pema electrotehnic srl, Drambar office@pema.ro www.pema-electrotehnic.ro Tel +40 258 806 924	THAILAND Compomax Co. Ltd., Bangkok info@compomax.co.th www.compomax.co.th Tel +66 2 1050555
BULGARIA Akhnaton Bulgaria AD, Sofia office@mail.akhnaton.netbg.com www.akhnaton.biz/en Tel +359 2 817600	FRANCE IMAGINELEC, Bain de Bretagne achats@imaginelec.com www.imaginelec.com Tel +33 2 99441524	ITALY Elektrozubehör S.p.A., Milano info@elektrozubehor.it www.elektrozubehor.it Tel +39 02 701471	SINGAPORE Hans Industries Pte. Ltd. sales@hansindustries.net www.hansengineering.com Tel +65 69557779	THE NETHERLANDS Hemmink B.V., Zwolle info@hanzestrohm.nl www.hemmink.nl Tel +31 85 4872400
CANADA IBIS Electro-Products Corp. Cambridge sales@ibisep.com www.ibisep.com Tel +1 800 350-7937 Tel +1 519 756-4299	FRANCE DIRECT SA, ZAC de la vente Olivier direct@direct.fr www.direct.fr Tel +33 2 32102343	ITALY DKC Europe S.r.L., Villanova Sull'Arda cosmec@dkceurope.eu www.dkceurope.de Tel +39 0321 9898910	SLOVAK REPUBLIC Distributor for Railways Draco s.r.o., Martin dracosro@gmail.com www.dracosro.sk Tel +421 43 4220577	TURKEY Harting Türkei Ltd., Istanbul info@harting.com www.harting.com Tel +90 216 6888100
CHINA AGRO (Shanghai) Electrical Products Trading Co. Ltd., Shanghai info@agro-electrical.cn www.agro-electrical.cn Tel +86 21 62825959	GREAT BRITAIN M. Buttkeireit Limited, Cheshire info@buttkeireit.co.uk www.buttkeireit.co.uk Tel +44 161 9695418	JAPAN Kinjo Denki Co. Ltd., Nagoya nagoya@neoflex.co.jp www.neoflex.co.jp Tel +81 52 5041-212	SLOVAK REPUBLIC ELETECHNIK s.r.o. www.eletechnik.sk Tel +421 33 2337480	TURKEY Ethos Enerji Iç ve Dis Tic. Ltd. Sti Maltepe Istanbul www.ethosenerji.com info@ethosenerji.com Tel +90 216 5270103
CZECH REPUBLIC Ex-Technik spol. s.r.o., Ostrava technik@ex-technik.cz www.ex-technik.cz Tel +420 596 242 548	GREAT BRITAIN OEM Automatic Ltd., Leicestershire information@oem.co.uk www.oem.co.uk Tel +44 116 2849900	MALAYSIA JJ-Lapp (M) Sdn. Bhd. Selangor Darul Ehsan sales_jjlm@jjsea.com www.jj-lapp.com Tel +603 50306322	SOUTH KOREA SLT Corporation, Gyeonggi-Do slt@sltco.co.kr www.sltco.co.kr Tel +82 31 776-4300	USA Aeros USA, Harrisburg, PA service@aerosusa.com www.aerosusa.com Tel +1 717 238 1444
CZECH REPUBLIC SVK Elektronik, s.r.o., Praha svk@svk.cz www.svk.cz Tel +420 2 81021305	HONG KONG Logistic Indus. Supply Co. Ltd. Hong Kong info@logistic.hk www.ilogistic.com.hk Tel +852 27439110	NEW ZEALAND Mardag Holdings Limited, Wellington info@mardag.co.nz www.mardag.co.nz Tel +64 4 237-8912	SOUTH KOREA WIT Solutions Co., Ltd. SONGPA-GU, SEOUL www.witsolutions.co.kr admin@witsolutions.co.kr Tel +82-2-2054-8691	USA Lapp USA, LLC., Florham Park, NJ sales@lappusa.com www.lappusa.com Tel +1 800 774-3539 Tel +1 973 660-9700

